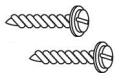


# Double Roller Shade Installation Instructions

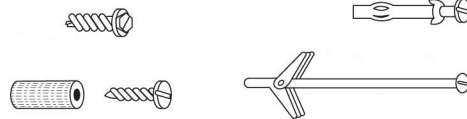
## Please follow these Installation Instructions

You will need a pencil, tape measure, drill, screwdriver, pliers, and appropriate fasteners.

### Step 1: Choose the Correct Fastener

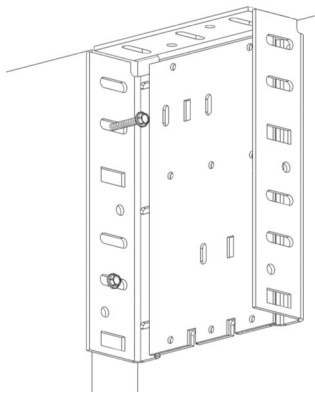


1 1/2" #8 Hex Head  
Wood Screws (Included)



Alternative fasteners should be used for aluminum or concrete installations (Not Included with Blinds)

### Step 2: Install Fascia Bracket



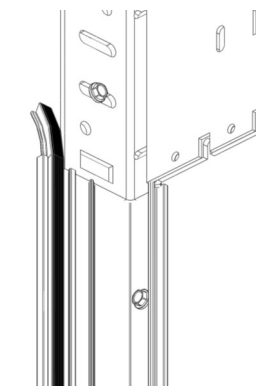
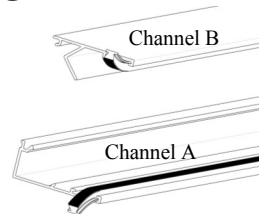
The fascia bracket are assembled with the plates for clutch and idler.

Use the bracket with the slots for clutch installation and bracket with the round holes for idler installation.

Use side or the top holes to secure fascia bracket to the window frame, wall or ceiling. Repeated the same for the idler bracket.

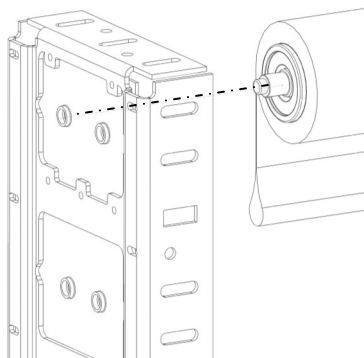
### Step 3: Install Channel A

Side channel assembly consists of two extrusions, Channel A and Channel B. Channel A will be installed first. Place it with the shorter perpendicular side against the wall. Make sure the longer side aligns with the bracket in such a way that the roller shade can be easily lowered close to the inside wall of the side channel. Secure Channel A to the wall with the screws maintaining about 2 feet distance between the screws. The seal brush is longer than side channel and sticking out on the top, close to the bracket. It will help guiding hem bar into the side channels.

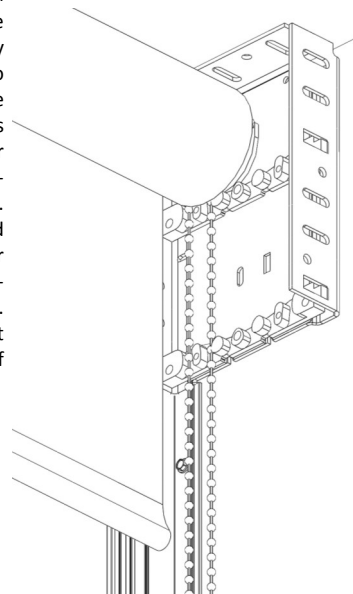


Channel A

### Step 4: Install First Roller Shade

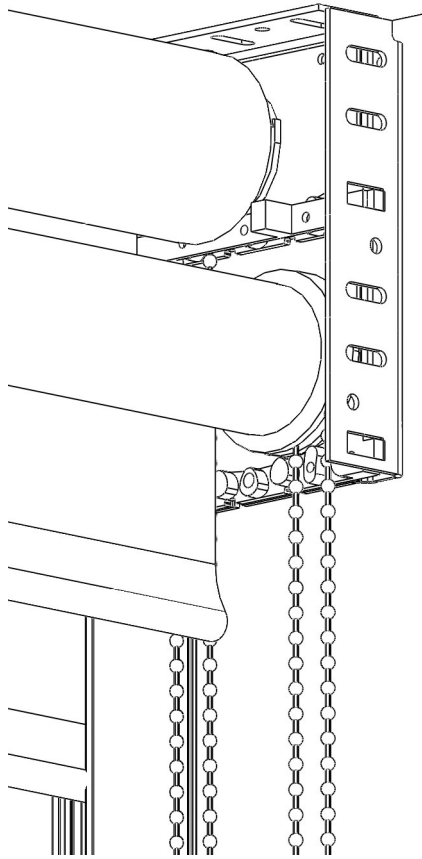


Once the side channel A is secured in place, insert shade closer to the window into the bracket. Typically this shade is installed higher to make room for the second shade on the bottom. You can always reverse position of the shade for reverse roll installation by reversing installation plate in the bracket. Roller Shade is installed idler end first. Line up the spring loaded idler on the roller shade with the appropriate hole in the idler bracket. Press the idler into the bracket making sure it will not slip out of the place.



With the idler in place, rotate the clutch side of the shade into position and place hook of the clutch into the slot on the clutch bracket. Once the shade is in place, install the chain guide placing chain next to the side channel.

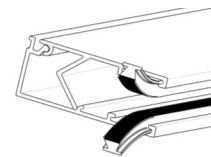
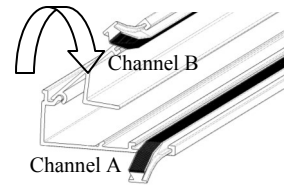
## Step 5: Install Second Roller Shade



Next install the second roller shade into the bracket. This shade typically takes the lower position away from the window. Start with the idler side pressing it into the idler bracket, then install the clutch side into the fascia bracket. Place the chain in the front guide positions of the lower chain guide. Close off the chain guides with the covers. You should have access to the bead chain from both clutches. Make sure they operate well reaching both lower and upper stops. Finish the installation by covering the lower chain guard with the cover and snapping the fascia to the front of the bracket. Secure both bead chain to the wall with the safety tie down devices provided with the bead chain.

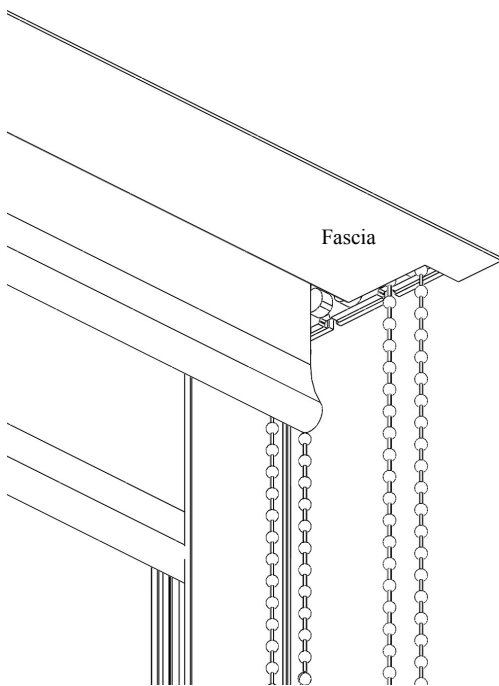
## Step 6: Snap The Side Channels Together

With the channel A already in place, hinge channel B on the short round arm closer to you and rotate it towards the window until center arm of the channel B snaps on to the channel A. The shade closer to the window should easily move up and down inside the side channel assembly.



Side channel assembly snapped together

## Step 7: Snap on the Fascia



Make sure the shades can be raised and lowered and the bead chain is easily accessible. Hinge the fascia on the top of the bracket and rotate it into place. The opening cut on the bottom of the fascia allows the bead chain from the front shade to hand straight down. Press on the fascia snapping it to the plastic bead chain cover. Make sure the fascia stays firmly in place.

Finished clutch operated dual shade with fascia installed

## Step 8: Install safety device

The safety devices are already attached to the bead chain. Stretch the bead chain lightly and secure it to the wall or window with provided screws

Before securing safety device to the wall, the chain cannot be operated.

After fixing it to the wall, the chain works freely.

