

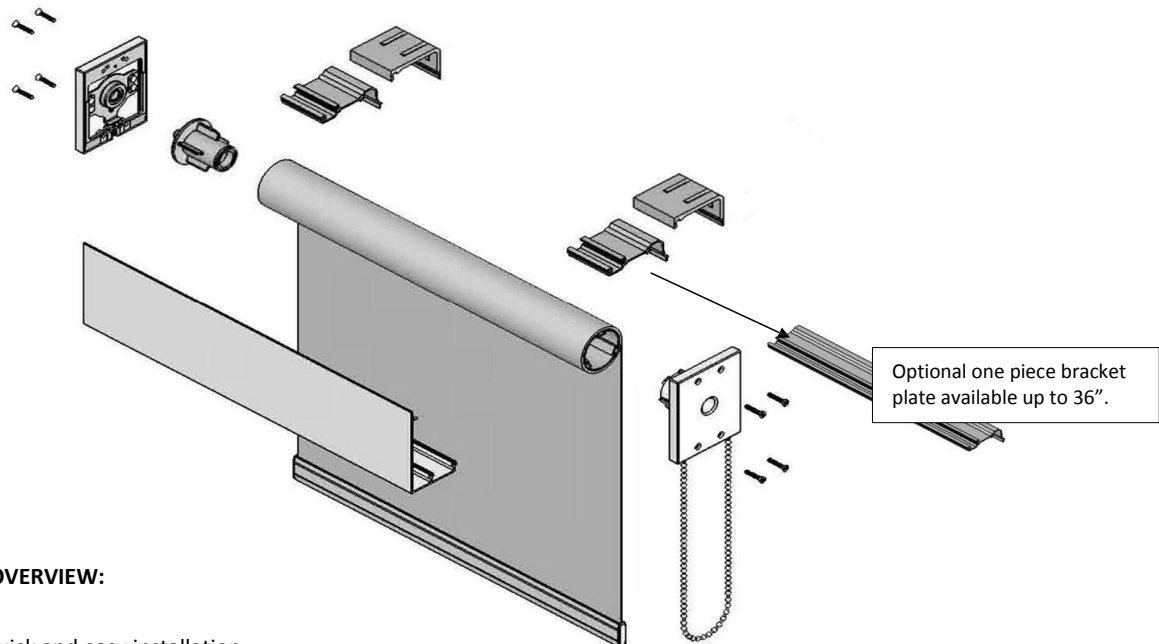
# Product Cut Sheet: Commercial Cassette

## Mariak Commercial Roller Shade Cassette

For quick and easy installations in commercial buildings Mariak offers the Commercial cassette. Flat front fascia offered in 4 colors easily blends with internal structural shapes of commercial buildings offering at the same time esthetically pleasing, easy to maintain closure for the roller shade. Snap on brackets provide quick and easy on-site installation. Commercial quality clutch can be placed on either side of the cassette. Height adjustable idler end of the cassette allows for leveling correction without need for shims. Cassette size 3 1/8" by 4" high easily fits inside typical window opening.

Roll:	Available for regular roll only
Fascia Color:	White, Black, Alabaster, Bronze & Anodized
Bracket Plate:	Mill Finish
Mount:	Inside or outside
Clutch:	CS Clutch 16lb
Idle side:	Adjustable height position
Motor:	DC
Control:	Right or Left
Tube Size:	1-1/2" Tube up to 96" Wide 1-3/4" Tube up to 114" Wide

Minimum Width:	20"	Minimum Length:	20"
Maximum Width:	114"	Maximum Length:	120"



### PRODUCT OVERVIEW:

- Quick and easy installation
- Adjustability and Leveling Correction
- Sleek design accommodates upscale commercial needs
- Heavy-Duty Platinum Clutch
- Maximum shade diameter: 2-5/8"
- Front Fascia has a high quality finish that is highly resistant to abrasion and corrosion and is available in five of the most popular colors.