

Mariak

Many Window Solutions From One Source

2" Aluminum & PVC Horizontal Blinds
2" & 2 ½" Basswood Horizontal Blinds
1", 2" & 2 ½" Fauxwood Horizontal Blinds

Effective November 15, 2012



Save a life: "Install Cord Cleats!"

Horizontal Blind Measuring & Ordering Instructions

Selecting the Type of Mounting:

Determine whether the blind is going to be installed inside the window frame or outside the window frame.

Inside Mount (IB):

Inside mount installations are often preferred because the blinds take up less space in the room.

Measuring the Width and the Length for Inside Mount:

For the width, measure across the top, middle, and bottom of the window opening. Using the narrowest dimension, measure to the nearest 1/8". By using the narrowest measurement the blind will operate correctly.

For the length, measure the up and down dimension on the left, center, and right side. Use the longest length measurement, measuring to the nearest 1/8".

The factory will make any appropriate deductions (1/2" Standard deduction on width for inside mount). Do not make any width deductions.

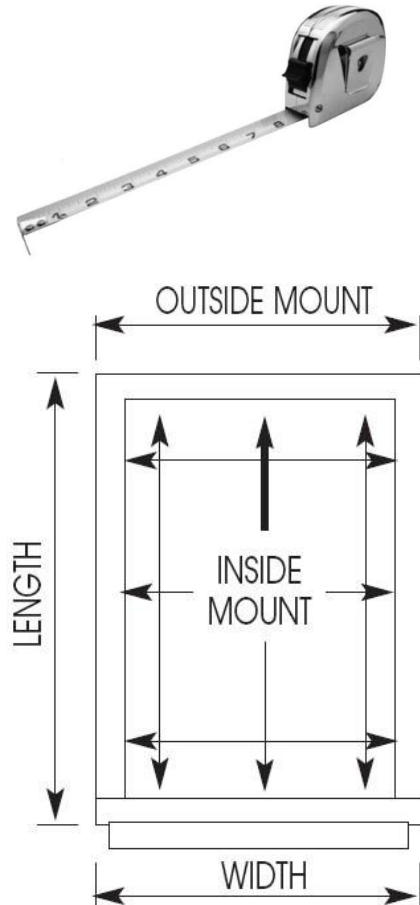
Outside Mount (OB):

Outside mount installations are mounted on the wall or on the window molding. It is best to overlap the window opening by at least 3/4" on each side when measuring for horizontal blinds.

Measuring the Width and the Length for Outside Mount:

Measure the area that the blind is to cover. For horizontal blinds it is recommended to overlap the window opening by at least 3/4" on each side for a total of 1 1/2". To allow for enough space for the mounting brackets and to cover the bottom of the window, the suggested overlap for a horizontal blind is at least 3" (1 1/2" above the window opening and 1 1/2" below the opening). If the window opening has a sill, measure from where the top of the blind will be located to the top of the window sill.

Note: When outside mount blinds are specified, no factory deductions are taken.



Confirming Measurements:

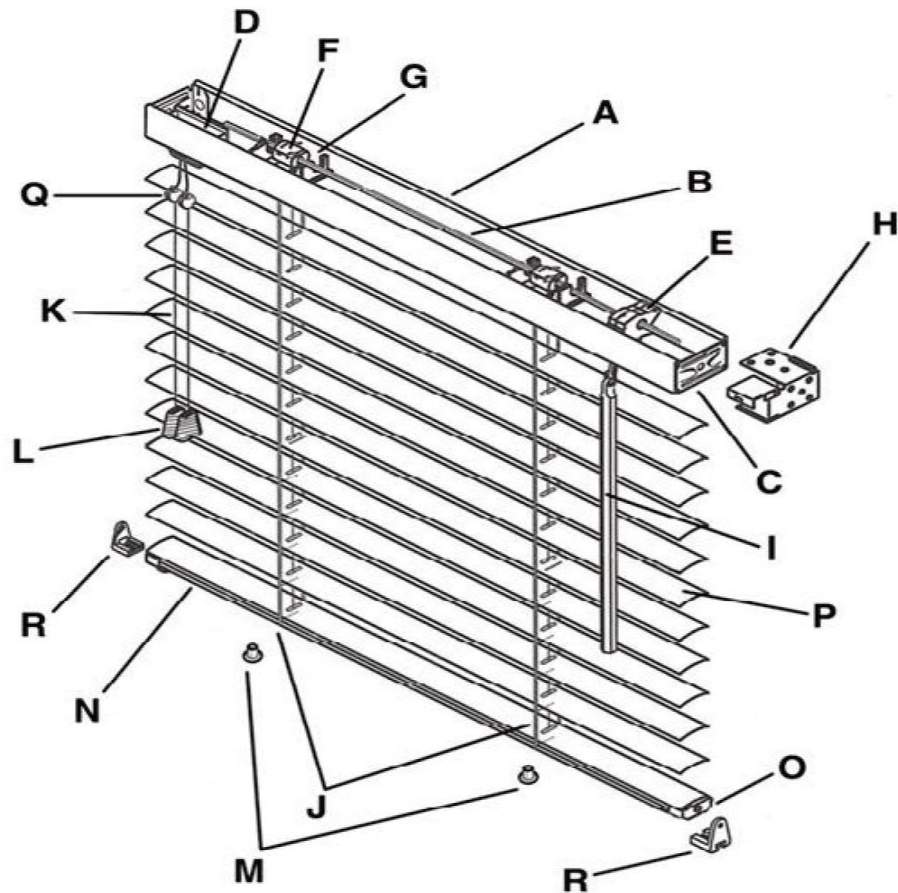
The most common error in ordering blinds is reversing the width and the length measurements. Always confirm that the width is the measurement that goes across from left to right and that the length is the measurement that goes from top to bottom.

In compliance with the latest manufacturing safety guidelines Mariak Window Fashions includes with each fully-assembled product warning tags, warning labels, safety devices and cord cleats. Installers of the finished product must adhere to the safety guidelines as established by the installation instructions and by using all devices provided by the manufacturer. It is the responsibility of the installer, as well as the end consumer, to see that all safety devices are properly installed according to the manufacturers installation instructions included with each device and remain so throughout the life of the product. Mariak Window Fashions is not liable for injuries or fatal occurrences related to improper installation or maintenance of required safety devices.

The follow surcharges will apply for purchases of individual slat, broken-boxes, pieces or cut-down products that are not purchased as a fully assembled blind or shade:

- \$5.00 NET - PVC Vertical Vanes Broken-Box Charge
- \$6.00 NET - Horizontal Slat Material Broken-Box Charge
- \$10.00 NET - Components, Valance or Fascia Broken-Box Charge All Products
- \$20.00 NET - Cut-Charge for All Products (i.e. fabric, slat, valance, fascia, etc.)

2" Aluminum Blind System



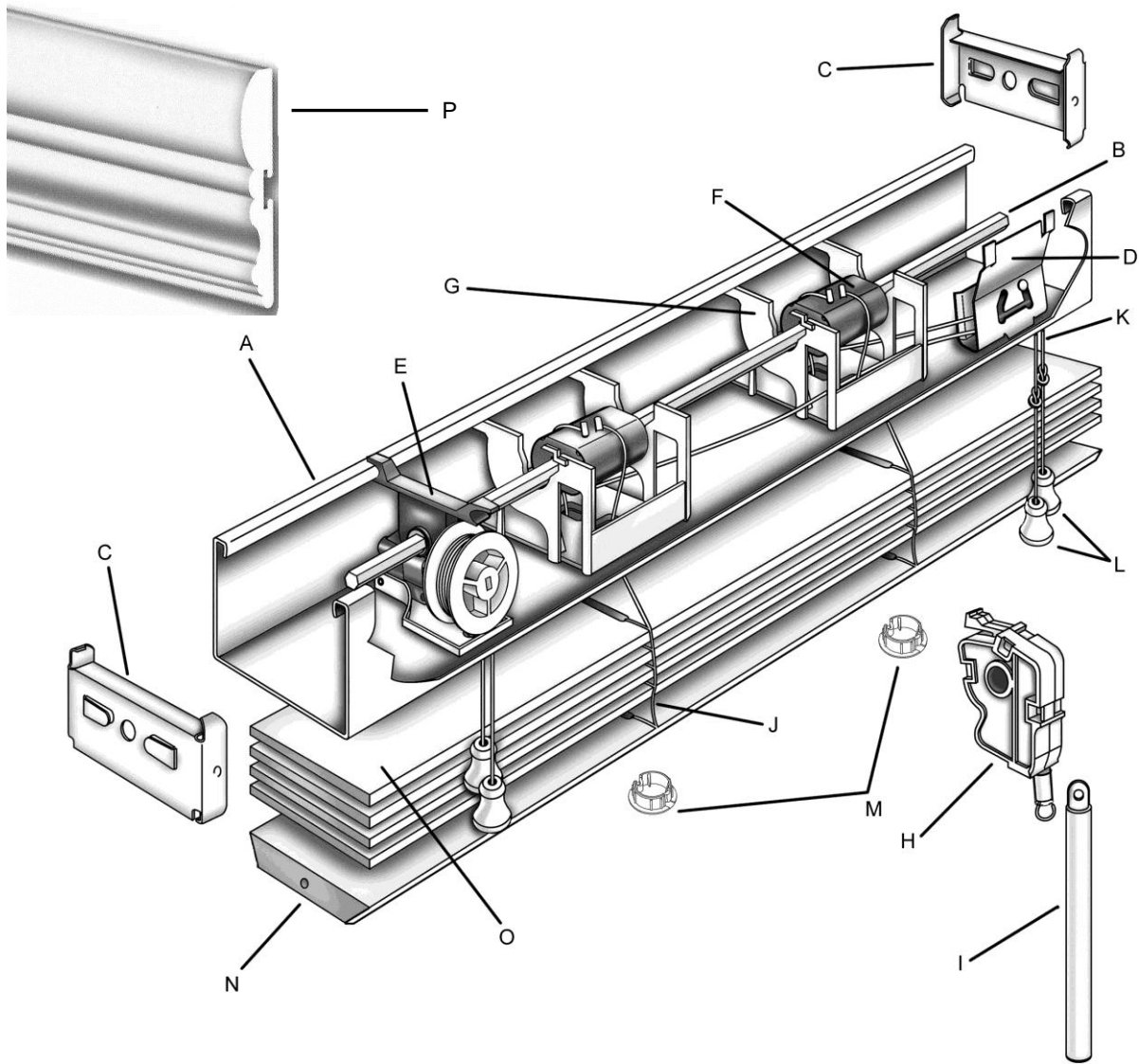
- A) Headrail – Steel 1-1/2" H x 2" D
- B) Pinion Rod (Tilt Rod) – Hexagonal
- C) End Stiffeners
- D) Cord Lock
- E) Wand Tilter
- F) Tape Drum (Ladder Drum)
- G) Tape Drum Support (Cradle)
- H) Box Installation Bracket
- I) Wand – Clear Hexagonal
- J) Cord Ladder
- K) Lift Cord 1.8mm
- L) Cord Tassels
- M) Bottomrail Plugs
- N) Bottomrail – Enclosed
- O) Bottomrail End Caps
- P) Slats
- Q) Cord Safety Rings
- R) Hold Down Brackets - Optional

2" Aluminum Blind 6-Gauge Aluminum Slats

System Features:

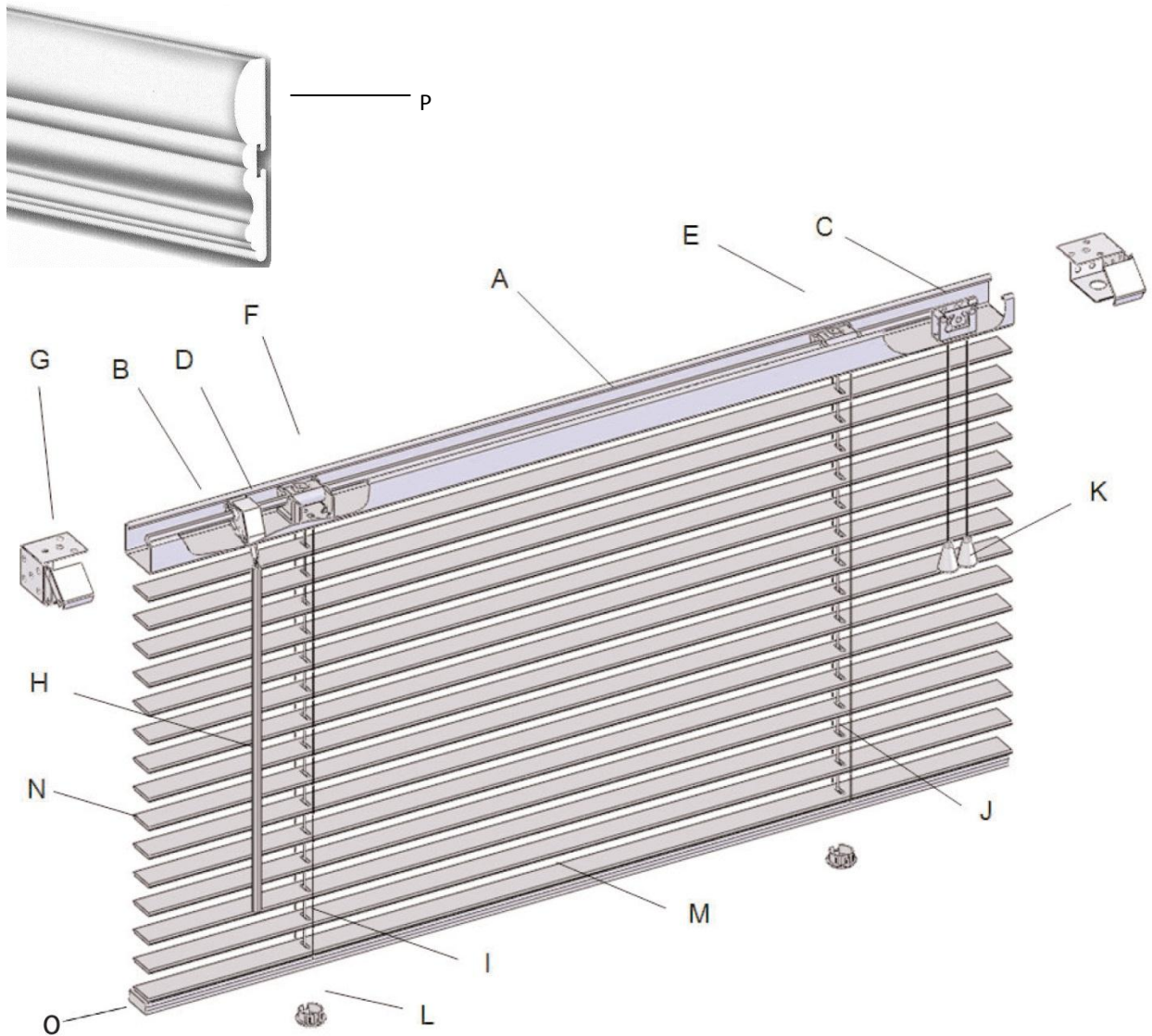
- Heavy Duty Metal and Plastic Components
- Wand Tilter has a clutch mechanism preventing over-rotation and repairs

2" & 2-1/2" Horizontal Blind



- A) Low Profile Headrail – Steel 1-1/2" H x 2" D
- B) Pinion Rod (Tilt Rod) – Hexagonal
- C) End Stiffeners
- D) Cord Lock
- E) Cord Tilter
- F) Tape Drum (Ladder Drum)
- G) Tape Drum Support (Cradle)
- H) Wand Tilter
- I) Wand
- J) Cord Ladder
- K) Lift Cord 1.8mm
- L) Cord Tassels
- M) Bottomrail Plugs
- N) Bottomrail – Trapezoid
- O) Slats – 2" or 2-1/2" Flat Fauxwood & Basswood or 2" PVC Solid Curved Smooth
- P) Royal Valance – Standard (glued returns are included unless otherwise specified)

1" Fauxwood Horizontal Blind

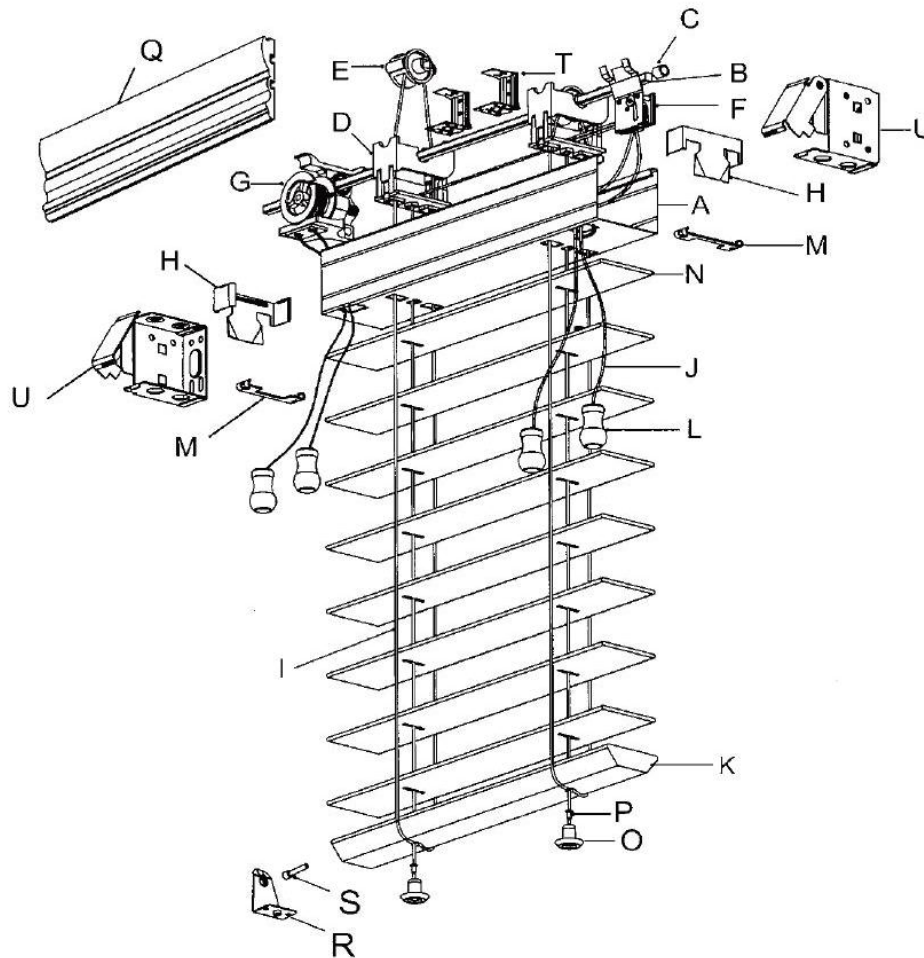


- A) Headrail – Steel 1-1/2" D x 1" H
- B) Pinion Rod (Tilt Rod) – Hexagonal
- C) Cord Lock
- D) Wand Tilter
- E) Tape Drum (Ladder Drum)
- F) Tape Drum Support (Cradle)
- G) Installation Bracket
- H) Wand – Clear Hexagonal
- I) Cord Ladder
- J) Lift Cord 1.4mm
- K) Cord Tassels
- L) Bottomrail Plugs
- M) Bottomrail End Caps
- N) Slat - 1" Flat Fauxwood or 1" Flat Basswood
- O) Bottomrail – Rectangular
- P) Royal Valance – Standard (glued returns are included unless otherwise specified)

System Features:

- Color Coordinated Headrail
- Installation Brackets
- Heavy-Duty Metal and Plastic Components
- Wand tilter has a clutch mechanism preventing over-rotating and repairs

2" Economy Read-Made Fauxwood Horizontal Blinds



- A) High Profile Headrail – Steel
- B) Pinion Rod (Tilt Rod) – Square
- C) Pinion Rod Cap
- D) Tape Drum Support (Cradle)
- E) Tape Drum (Ladder Drum)
- F) Cord Lock
- G) Cord Tilter
- H) End Stiffener
- I) Cord Ladder
- J) Lift Cord 1.8mm
- K) Bottomrail – Trapezoid
- L) Cord Tassels
- M) Top Slat Clip
- N) Slats – 2" Flat Fauxwood
- O) Bottomrail Plugs
- P) Cord Grommets
- Q) 3-1/2" Royal Valance
- R) Hold Down Brackets - Optional
- S) Hold Down Pins
- T) Center Support Brackets
- U) Box Style Installation Brackets

System Features:

- Hidden 1-piece plastic valance clip
- 1-1/4" Clip on inside mount returns included
- 3-1/2" Clip on outside mount returns available upon request

Product Specifications

Product Specifications & Ladder Spacing

- Minimum Width = 8"
- Blinds less than 11" in width must have a center tilt mechanism with NO Lift control
- Blinds less than 15" and greater than 11 1/2" must have split controls (Standard – Left/Right or Reverse – Right/Left)
- Blinds greater than 15" may have same side control or split controls
- 1" Fauxwood Blinds are **NOT** available with Cord Tilt option
- 1" Fauxwood Blinds are **NOT** available with Routless or Cloth Tape options
- 2 1/2" Basswood & 2 1/2" Fauxwood Blinds are **NOT** available with Wand Tilt option
- Maximum Distance between cord ladders on Fauxwood blinds = 11" spacing
- Maximum Distance between cord ladders on Basswood, Aluminum, & PVC blinds = 20" spacing

Control Location Options:

- **Standard:** Tilter – Left / Lift Cords – Right
- **Reverse:** Tilter – Right / Lift Cords – Left
- **Same Left:** Tilter – Left / Lift Cords – Left
- **Same Right:** Tilter – Right / Lift Cords – Right
- Blinds less than 11" in width must have a center tilt mechanism
- Blinds less than 15" and greater than 11 1/2" must have split controls

Stacking Height

| Blind Drop | Total Stack Thickness |
|------------|-----------------------|
| 24" | 5" |
| 36" | 6" |
| 48" | 7" |
| 60" | 9" |
| 72" | 9 1/2" |
| 84" | 10 1/2" |
| 96" | 12 1/2" |
| 108" | 13 1/2" |
| 120" | 15" |

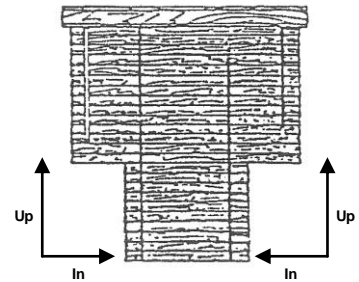
Wand Selection Chart:

| Blind Drop | Wand Length |
|--------------------|-------------|
| 36" or less | 24" |
| 36 1/2" – 48" | 30" |
| 48 1/2" – 60" | 36" |
| 60 1/2" or greater | 48" |

Cutouts Specifications:

A \$15.00 net surcharge will apply to each side cutout. A drawing with the necessary cutout dimensions is required. The maximum cut in width is as follows:

- Fauxwood = 4 1/2"
- Basswood = 5 1/2"
- PVC = 5 1/2"
- Aluminum = 5 1/2"



Decorative Valances for 2" & 2 1/2" Horizontal Blinds

- 3 1/4" decorative valances are *standard* with **Fauxwood & Basswood** blinds.
- Maximum width on a single valance is 9'; valance will not be spliced. A "flush-cut" on one end can be requested so that two valances can be butted together; note there will be a visible seam.
- Valance returns are included for all Inside Mount and Outside Mount Fauxwood & Basswood blinds and are mitered and glued for custom made horizontal blinds.
- 2-part hidden metal valance clip included with all custom made horizontals.
- The 3 1/4" **Royal Valance** is used as a *standard* for **Fauxwood & Basswood** blinds.
- The 5 1/2" **Barrington Valance** is an available upgrade option for all 2" & 2-1/2" horizontal and 3-1/2" PVC vertical blinds.
 - **Please note:** The 5 1/2" Barrington Valance is available in matching Basswood and Fauxwood colors.
 - Refer to the retail price table below for the applicable surcharges and then apply the appropriate discount.
 - All Fauxwood blinds specifying Barrington Valances will be made from 100% Fauxwood materials.
 - All Painted Basswood blinds (white colors) specifying Barrington Valances will be made from 100% Fauxwood materials designed to match the white basswood slat colors.
 - All Stained Basswood blinds specifying Barrington Valances will be made from natural wood.
- **Royal Valances are included at no additional charge with the purchase of Basswood & Fauxwood Blinds.**
- **Barrington Valances are \$ 4.00 per 2" or 2-1/2" Basswood & Fauxwood Horizontal Blind.**



**3-1/2" Royal Valance
for Basswood & Fauxwood Blinds**



**5 1/2" Barrington Valance
for Basswood & Fauxwood Blinds**

Valance Only Pricing: Use only when ordering Valances separate from blinds.

| | 36" | 48" | 60" | 72" | 84" | 96" | 108" |
|---|-------|-------|-------|-------|-------|-------|-------|
| 3 1/4" Royal Fauxwood Valance | \$55 | \$70 | \$85 | \$100 | \$115 | \$130 | \$140 |
| 3 1/4" Royal Basswood Valance | \$75 | \$100 | \$125 | \$150 | \$165 | \$185 | - |
| 5 1/2" Barrington Fauxwood Valance | \$85 | \$110 | \$130 | \$155 | \$175 | \$200 | \$220 |
| 5 1/2" Barrington Basswood Valance | \$155 | \$200 | \$240 | \$280 | \$320 | \$360 | - |

Motorized Horizontal Blinds

Somfy IR Tilt Only Motorized Operation:

- Blinds Tilt Open or Closed At the Touch of a Button
- Blinds are Raised or Lowered by Pulling on Lift Cords

Motorized Options & Surcharges:

Heavy Duty Tilt Motor.....\$110.00 Net
 (AA Alkaline Batteries Included)
 8- Channel Infra-Red Transmitter.....\$25.00 Net

Features:

- Tilts blinds individually, as sub-groups, or as an entire group using an 8-Channel IR transmitter
- Rubberized headrail adapter for smooth and quiet motor operation
- Maximum Sizes:
 - Basswood = 114" x 114"
 - Fauxwood = 93" x 96"
 - Aluminum = 120" x 144"

Somfy RTS Tilt Motorized Option & Surcharges: (Not Shown in Diagram Above)

- Somfy RTS Motorized Blinds (Tilt Only) = \$155.00 (Single Alkaline Battery Pack Included) **Net Charge.**
 - 5-Channel RTS Modulis Remote Control Transmitter = \$145.00 **Net Charge.**
- Somfy RTS Motorized Blinds (Tilt Only) = \$175.00 (Single Lithium Battery Pack Included) **Net Charge.**
 - 5-Channel RTS Modulis Remote Control Transmitter = \$160.00 **Net Charge.**

Features:

- Exclusive scroll wheel design for precise tilt control of horizontal blinds
- Tilts blinds individually, as sub-groups, or as an entire group using a 5-Channel RTS transmitter
- Rubberized headrail adapter for smooth and quiet motor operation
- Range: 65 Ft. (without the need to point or aim the transmitter)
- Built-in encoder for precise slat positioning of adjacent blinds
- Maximum Sizes:
 - Basswood = 114" x 114"
 - Fauxwood = 93" x 96"
 - Aluminum = 120" x 144"

Somfy CTS 50 Lift & Tilt AC Motorized Blinds:

- Patented cord take-up system (CTS) developed specifically for use with Somfy's line of standard, RTS, and ILT motors
- Provides both lift and tilt operations and is designed for larger window coverings applications requiring additional load lifting capabilities and greater drop lengths.

Specifications:

- Headrail Dimension: 2 3/4" x 2 3/4"
- Headrail Color: Clear Anodized Aluminum Only

Somfy CTS 50 Lift & Tilt Motorized Surcharges:

Please add the applicable headrail surcharge and the motor surcharge to the net price of the blind selected.

Net Surcharges for 2" & 2 1/2" Basswood, 2" Aluminum, and 2" Curved PVC Blinds:

Pricing is based on ordered blind width:

| 48" | 60" | 72" | 84" | 96" | Greater than 96" |
|--------------|--------------|--------------|--------------|--------------|------------------|
| \$310.00 Net | \$335.00 Net | \$380.00 Net | \$430.00 Net | \$480.00 Net | Request Quote |

Net Surcharges for 2" & 2 1/2" Fauxwood Blinds:

Pricing is based on ordered blind width:

| 48" | 60" | 72" | 84" | 96" | Greater than 96" |
|--------------|--------------|--------------|--------------|--------------|------------------|
| \$325.00 Net | \$375.00 Net | \$440.00 Net | \$490.00 Net | \$540.00 Net | Request Quote |

Net Surcharge for Somfy ST50 Series Motors: (Quiet Motor Operation)

- Somfy Standard 4-Wire Motor.....\$205.00 **Net Charge**
- Somfy RTS 3-Wire Plug-In Motor.....\$245.00 **Net Charge**
- Somfy ILT Intelligent Motor.....\$300.00 **Net Charge**

Horizontal Blind Color Listing

| Aluminum | |
|-------------------------|-----|
| Colors Available | 2" |
| 004 - Eggshell Gloss | Yes |
| 005 - White Gloss | Yes |
| 017 - Gulf Blue | Yes |
| 031 - Fawn | Yes |
| 048 - Peach | Yes |
| 062 - Char Brown | Yes |
| 064 - Aluminum Textured | Yes |
| 112 - Alabaster | Yes |
| 121 - Brushed Aluminum | Yes |
| 173 - Spun Silk | Yes |
| 205 - White Satin | Yes |
| 233 - Black Satin | Yes |
| 386 - Snow Cap | Yes |
| 957 - Pinion | Yes |
| 974 - Pearl | Yes |
| Curved PVC | |
| Colors Available | 2" |
| Ivory | Yes |
| Light Grey | Yes |
| Off White | Yes |
| Snow White | Yes |

| Basswood | | |
|----------------------|-----|------|
| Colors Available | 2" | 2 ½" |
| 100 - Snow White | Yes | Yes |
| 120 - Crisp White | Yes | Yes |
| 130 - White | Yes | Yes |
| 140 - Swiss Coffee | Yes | Yes |
| 150 - Colonial White | Yes | - |
| 160 - Antique White | Yes | Yes |
| 200 - Alabaster | Yes | - |
| 240 - Natural | Yes | Yes |
| 245 - Mink | Yes | - |
| 250 - Golden Oak | Yes | Yes |
| 255 - Red Oak | Yes | Yes |
| 260 - Light Pecan | Yes | - |
| 265 - Pecan | Yes | Yes |
| 270 - Summer Pecan | Yes | - |
| 275 - Cherry | Yes | Yes |
| 280 - Warm Cherry | Yes | - |
| 285 - Sugar Maple | Yes | Yes |
| 290 - Cottage | Yes | Yes |
| 295 - Mahogany | Yes | Yes |
| 300 - Hunter Green | Yes | - |
| 310 - Black | Yes | - |
| 315 - Espresso | Yes | - |

| Fauxwood | | | | |
|------------------------------|-----|-----|------|----------|
| Colors Available | 1" | 2" | 2 ½" | 2" Econo |
| 100 - Bright White Smooth | Yes | Yes | Yes | |
| 105 - Bright White Textured | - | Yes | - | |
| 110 - Snow White Smooth | Yes | Yes | Yes | Yes |
| 115 - Snow White Textured | - | Yes | - | |
| 120 - Pearl White Smooth | Yes | Yes | Yes | Yes |
| 125 - Pearl White Textured | - | Yes | - | |
| 130 - Oyster White Smooth | Yes | Yes | Yes | |
| 135 - Oyster White Textured | - | Yes | - | |
| 155 - Natural Textured | - | Yes | Yes | |
| 155 - Natural Embossed | - | - | - | Yes |
| 165 - Maple Textured | - | Yes | Yes | |
| 175 - Cherry Textured | - | Yes | Yes | |
| 175 - Cherry Embossed | - | - | - | Yes |
| 200 - Alabaster Smooth | - | - | - | Yes |
| 9250 - Bamboo RealGrain | Yes | Yes | Yes | |
| 9251 - Natural RealGrain | Yes | Yes | Yes | |
| 9252 - Maple RealGrain | Yes | Yes | Yes | |
| 9253 - Pecan RealGrain | Yes | Yes | Yes | |
| 9254 - Oak RealGrain | Yes | Yes | Yes | Yes |
| 9256 - Chestnut RealGrain | Yes | Yes | Yes | Yes |
| 9257 - Mahogany RealGrain | Yes | Yes | Yes | |
| 9258 - Dark Walnut RealGrain | Yes | Yes | Yes | |
| 9259 - Cinnamon RealGrain | Yes | Yes | Yes | |

Horizontal Blind Price Table Listing

| Material Type | Price Table | Material Type | Price Table |
|-------------------------|-------------|-----------------------------------|-------------|
| 2" Aluminum | A | 2 ½" Fauxwood – Smooth | C |
| 2" Curved PVC | A | 2 ½" Fauxwood – Textured | C |
| 1" Fauxwood – Smooth | D | 2 ½" Fauxwood – RealGrain | C + 20% |
| 1" Fauxwood – RealGrain | D + 20% | 2" Basswood – Painted & Stained | B |
| 2" Fauxwood – Smooth | B | 2 ½" Basswood – Painted & Stained | C |
| 2" Fauxwood – Sandblast | B | | |
| 2" Fauxwood – Textured | B | | |
| 2" Fauxwood - RealGrain | B + 20% | | |

Optional Surcharges:

- Cloth Tape Privacy Option = Add 15% (See sample deck for available colors)
- Vinyl Tape Privacy Option (Eggshell or White Satin) = Add 30%
- Routless Privacy Option = Add 10% (NOT available for 2-on-1 or 3-on-1 blinds)
- Tile Cut Blinds = \$15.00 (net charge per side)
- 2-on-1 Headrail Blinds = \$20.00 (net charge) – Price the using overall width & length, and then add the surcharge.
- 3-on-1 Headrail Blinds = \$30.00 (net charge) – Price the using overall width & length, and then add the surcharge.
 - Light gap between blind for 2-on-1 or 3-on-1 is 1/8"
 - Maximum size for a multi-blind headrail is 144" and must be a 3-on-1
 - Please specify when ordering multiple individual blinds to go in one window.
- 2-on-1 & 3-on-1 Headrails are available with standard (left/right) controls and available Cord-Tilt only.
- Slanted Top "A" Frame Blinds = \$125.00 (net charge)
- Undersized Blind (12" and less in width) = \$ 20.00 net charge
- Oversized Blind (greater than 120" in length) = \$ 10.00 net charge
- Hold-Down Brackets = No Charge (Recommended for blinds installed on doors.)

All prices are in U.S. Dollars and do not include freight, duties or taxes for shipments to Alaska, Hawaii or Canada. GST and VAT are not included. Other restrictions and surcharges may apply. See Freight Policy for complete details.

Manufacturing specifications, options, surcharges and pricing are subject to change without notice.

Visit www.mariak.com for the most recent downloads.

2" Aluminum & 2" Contract Curved Horizontal Blinds

Suggested Retail Price Table A

Aluminum Materials: 8-Gauge Aluminum Colors PVC Patterns: Solid Curved

| | | Width | | | | | | | | | | | | | | | | | | | |
|--------|-----|-------|-----|-----|-----|-----|-----|-----|-----|-----|-----|-----|-----|-----|-----|-----|------|------|------|------|------|
| | | 23 | 26 | 29 | 32 | 36 | 40 | 44 | 48 | 52 | 57 | 62 | 67 | 72 | 82 | 92 | 102 | 112 | 122 | 132 | 144 |
| Length | 42 | 177 | 191 | 210 | 216 | 266 | 289 | 306 | 321 | 347 | 387 | 412 | 440 | 473 | 529 | 578 | 622 | 691 | 731 | 778 | 826 |
| | 48 | 191 | 210 | 223 | 240 | 291 | 316 | 330 | 357 | 381 | 428 | 453 | 483 | 512 | 576 | 636 | 682 | 763 | 803 | 851 | 873 |
| | 54 | 204 | 215 | 237 | 259 | 304 | 327 | 346 | 371 | 394 | 446 | 480 | 511 | 541 | 615 | 559 | 720 | 802 | 847 | 895 | 922 |
| | 60 | 212 | 231 | 255 | 269 | 318 | 342 | 371 | 396 | 422 | 477 | 512 | 549 | 580 | 653 | 691 | 773 | 865 | 912 | 958 | 969 |
| | 66 | 226 | 245 | 266 | 289 | 325 | 353 | 380 | 409 | 440 | 494 | 529 | 565 | 597 | 678 | 713 | 797 | 889 | 934 | 1007 | 1017 |
| | 72 | 233 | 251 | 276 | 301 | 342 | 368 | 400 | 430 | 455 | 517 | 552 | 587 | 628 | 706 | 750 | 832 | 928 | 981 | 1054 | 1064 |
| | 78 | 245 | 263 | 289 | 311 | 361 | 392 | 459 | 455 | 487 | 549 | 587 | 628 | 666 | 752 | 799 | 886 | 990 | 1045 | 1102 | 1111 |
| | 84 | 251 | 277 | 300 | 323 | 378 | 406 | 444 | 474 | 507 | 571 | 611 | 652 | 690 | 780 | 829 | 924 | 1031 | 1092 | 1150 | 1161 |
| | 90 | 260 | 286 | 314 | 335 | 393 | 422 | 459 | 499 | 532 | 595 | 637 | 684 | 727 | 818 | 868 | 967 | 1075 | 1140 | 1196 | 1208 |
| | 96 | 273 | 298 | 325 | 347 | 413 | 446 | 483 | 519 | 554 | 620 | 667 | 712 | 757 | 860 | 909 | 1010 | 1116 | 1188 | 1244 | 1256 |
| | 102 | 281 | 311 | 336 | 364 | 426 | 464 | 502 | 541 | 578 | 647 | 691 | 741 | 790 | 892 | 947 | 1053 | 1157 | 1235 | 1292 | 1304 |
| | 108 | 293 | 319 | 345 | 377 | 441 | 484 | 519 | 564 | 601 | 670 | 719 | 770 | 818 | 926 | 981 | 1097 | 1199 | 1283 | 1340 | 1350 |

Includes Single Slat P.V.C. or Aluminum Valance
Aluminum or PVC blinds, valance returns are not standard for inside mount.

Blinds to the right of this line are not recommended to be made as a single unit. The weight of the blind makes it difficult to operate. Blinds to right of this line made as a single unit will void the manufacturer's warranty..

| HORIZONTAL BLIND SURCHARGE OPTIONS: | |
|---|---------------|
| Privacy Cloth Tape | 15% |
| Privacy Vinyl Tape (2" Aluminum) | 30% |
| Tile Cut-Out (charge per side) | \$ 15.00 Net |
| 2-on-1 Headrail Blind | \$ 20.00 Net |
| 3-on-1 Headrail Blind | \$ 30.00 Net |
| Slanted Top Blind | \$ 125.00 Net |
| Undersized Blind (12" and less in width) | \$ 20.00 Net |
| Oversized Blind (greater than 108" in length) | \$ 10.00 Net |
| Hold Down Brackets Upon Request | No Charge |

| |
|---|
| For 2-on-1 or 3-on-1 blinds, price as individual units and add together |
| 2-on-1 or 3-on-1 available as cord tilt only with standard controls |
| Light gap between blinds for 2-on-1 or 3-on-1 is 1/8" |
| Maximum size for a multi-blind headrail is 144" and must be a 3-on-1 |
| Please specify when ordering multiple individual blinds to go in one window |

All prices are in U.S. Dollars and do not include freight, duties or taxes for shipments to Alaska, Hawaii or Canada. GST and VAT are not included. Other restrictions and surcharges may apply. See Freight Policy for complete details.

Manufacturing specifications, options, surcharges and pricing are subject to change without notice.

Visit www.mariak.com for the most recent downloads.

Blinds less than 92" in width shipped via FedEx: \$4.00 / unit Net Freight Charge
Blinds 92 1/8" to 125" in width shipped via FedEx: \$75.00 / unit Net Freight Charge
Blinds 125 1/8" or greater in width shipped via Common Carrier: \$ 150.00 per shipment

11.15.12kb

Economy Stock Line 2" Fauxwood Blinds

8-23-12kb

Product Features:

- High Profile Steel Headrail
- High Quality Components
- Heavy Duty Cord Tilt Mechanism for increased durability (wand not available)
- Trapezoid bottom rail for better tilt operation
- California Registered Flame Resistant Certified
- 500 hours of UV exposure equal to 5 years exposure with minimal gradual fading
- Product in Lead-Free
- In compliance with the latest manufacturing safety guidelines included with each blind are Warning Tags, Warning Labels and Cord Cleats.
- Installers of the finished product must adhere to the safety guidelines as established by the installation instructions and by using all devices provided by the manufacturer.
- 3 1/4" Royal Valance
 - Clip-on inside mount returns included
 - Valance return size is 1 1/4" from outside measurement or 3/4" from inside measurement
 - Upon request, 3 1/2" clip-on valance returns are available.



- **1-Year Limited Lifetime Warranty** – repair/replacement at no charge should product become defective in material or workmanship during the warranty period excluding defects that result from misuse, improper installation or failure to follow operation and care instructions. Please see full warranty for additional details.

• **Color Options:**

- | | | |
|--------------------------|------------------------|---|
| 110 – Snow White Smooth | 175 – Cherry Embossed | 9256 – Chestnut RealGrain (15% surcharge applies) |
| 120 – Pearl White Smooth | 155 – Natural Embossed | 9254 – Oak RealGrain (15% surcharge applies) |
| 200 – Alabaster Smooth | | |

Cut Down Surcharges & Guidelines:

- Maximum Cut-Down in Width: 4" (2" on each side) Minimum Cut-Down in Width: 1/8"
- Inside Mount Deduction: 1/2" (If requested as Inside Mount, the factory will take a 1/2" deduction to the width)
- When requesting a cut-down of less than 1/2" in width, the blind will be trimmed on **1 side only**.
- When requesting a cut-down of 1/2" or more, the blind will be trimmed on **both sides**. When cutting a blind down on both sides, the factory will make every attempt to cut evenly from of each side (± 1/8").
- Cut down measurements must be ordered in 1/8" increments; cutting a blind down by less than 1/8" is not possible.
- **Cut-Down in Width = \$2.00 per blind**
- **Shortening the Drop = \$3.00 per blind**
- **Valance Length: As a factory standard, Valances will be made 2 1/4" wider than the width of the blind.**
- **Common Valance available for a \$10.00 Net Surcharge.**

Pricing: \$2.00 per Square Foot - (Volume Discounts May Apply – Contact Sales)

Economy 2" fauxwood blinds are priced by the square foot. Prices are based on the overall width and overall length dimensions of the stock blind size. If the blind requires a cut down in width, add \$2.00. If the blind requires the length to be shortened, add an additional \$3.00.

Example: If a finished blind size of 45 1/2" x 46" is required, you will order a 48.0" x 48.0".

If your price per square foot is \$2.00...

| | |
|-----------------------------|---|
| (48.0" X 48.0) / 144 | = 16.0 Sq. Ft. |
| 16.0 Sq.Ft. * \$2.00 Sq.Ft. | = \$ 32.00 (\$36.80 for Realgrain) |
| Width Cut-Down | + \$ 2.00 |
| Drop Shortening | + \$ 3.00 |
| Total Cost | = \$ 37.00 (\$41.80 for Realgrain) |

Stock Sizes Available: (Please note that all sizes are NET)

| STOCK SIZE | SQ. FT. | STOCK SIZE | SQ. FT. | STOCK SIZE | SQ. FT. | STOCK SIZE | SQ. FT. |
|------------|---------|------------|---------|------------|---------|------------|---------|
| 10" x 72" | 5.0 | 32" x 60" | 13.3 | 45" X 72" | 22.5 | 66" X 60" | 27.5 |
| 18" x 36" | 4.5 | 32" x 72" | 16.0 | 45" X 84" | 26.3 | 66" X 72" | 33.0 |
| 18" x 48" | 6.0 | 32" X 84" | 18.7 | 45" X 96" | 30.0 | 72" X 36" | 18.0 |
| 18" x 60" | 7.50 | 32" X 96" | 21.3 | 48" X 36" | 12.0 | 72" x 48" | 24.0 |
| 18" x 72" | 9.0 | 36" X 36" | 9.0 | 48" X 48" | 16.0 | 72" x 60" | 30.0 |
| 24" x 36" | 6.0 | 36" x 48" | 12.0 | 48" X 60" | 20.0 | 72" x 72" | 36.0 |
| 24" x 48" | 8.0 | 36" X 60" | 15.0 | 48" X 72" | 24.0 | 84" x 36" | 21.0 |
| 24" x 60" | 10.0 | 36" x 72" | 18.0 | 48" x 84" | 28.0 | 84" x 48" | 28.0 |
| 24" x 72" | 12.0 | 36" X 84" | 21.0 | 48" X 96" | 32.0 | 84" X 60" | 35.0 |
| 24" x 84" | 14.0 | 36" X 96" | 24.0 | 54" X 36" | 13.5 | 84" X 72" | 42.0 |
| 24" x 96" | 16.0 | 42" X 36" | 10.5 | 54" X 48" | 18.0 | 96" X 36" | 24.0 |
| 28" x 36" | 7.0 | 42" x 48" | 14.0 | 54" X 60" | 22.5 | 96" x 48" | 32.0 |
| 28" x 48" | 9.3 | 42" x 60" | 17.5 | 54" X 72" | 27.0 | 96" X 60" | 40.0 |
| 28" x 60" | 11.7 | 42" x 72" | 21.0 | 60" X 36" | 15.0 | 96" X 72" | 48.0 |
| 28" x 72" | 14.0 | 42" x 84" | 24.5 | 60" X 48" | 20.0 | | |
| 28" x 84" | 16.3 | 42" x 96" | 28.0 | 60" X 60" | 25.0 | | |
| 28" x 96" | 18.7 | 45" x 36" | 11.3 | 60" X 72" | 30.0 | | |
| 32" x 36" | 8.0 | 45" x 48" | 15.0 | 66" X 36" | 16.5 | | |
| 32" x 48" | 10.7 | 45" x 60" | 18.8 | 66" X 48" | 22.0 | | |

Note: For those ordering stock sizes and cutting-down, all sizes are stocked with 60" drops and ladders to 96".

ECONO STOCK BLIND 2" FAUXWOOD READY-MADE WARRANTY

Mariak Industries, Inc. ("Mariak") warrants to the original purchasers of its products, upon the terms of this Limited Warranty, that if installed, used and maintained according to Mariak's written instructions, the products will be free from manufacturing defects for the reasonable lifetime of the project for which to product was originally purchased, effective from the date of purchase by the original purchaser, not to exceed one (1) year. No salesperson, dealer, retailer nor any representative of Mariak has the authority to modify this Limited Warranty in any way, either verbally or in writing. No other warranties are made except as set forth herein, and said Warranty is limited by the following terms and conditions:

This Warranty shall remain in effect only if Mariak's product has been installed by an authorized dealer, and maintained, cleaned, treated and used correctly. This Limited Warranty shall not apply if the product has been damaged due to alteration, accident, misuse, misapplication, improper installation, abuse, normal wear and tear, exposure to the elements, improper maintenance or handling, fire, flood, or other acts of God. The obligation of Mariak and its dealers is limited to the repair and replacement of the window coverings and/or components found to be defective and excludes shipping charges and labor cost for measuring and installation.

LIMITED WARRANTY LIMITATIONS

1. **Product Use:** This Limited Warranty applies only in respect to products that are used strictly for the purpose in which they were designed, manufactured, sold and intended.
2. **Replacement Parts or Repairs:** Mariak reserves the right to discontinue or change any of its products as currently manufactured, at any time. If Mariak determines to make a replacement under the terms of this Limited Warranty and exact replacements are not available, Mariak reserves the right to substitute a part or parts of equal quality at its sole option.
3. **Warranty Limitations:**
 - (a) THERE ARE NO WARRANTIES WHICH EXTEND BEYOND THE FACE HEREOF, EXPRESS OR IMPLIED, WRITTEN OR ORAL, INCLUDING WITHOUT LIMITATION IMPLIED WARRANTIES OF MERCHANTABILITY OR FITNESS FOR A PARTICULAR PURPOSE, WHETHER OR NOT ARISING FROM ANY TRADE USAGE OR COURSE OF DEALING, WITH RESPECT TO THE PRODUCTS OF MANUFACTURER.
 - (b) IN NO EVENT SHALL MANUFACTURER BE LIABLE FOR LOSS OF PROFITS, INDIRECT, SPECIAL OR CONSEQUENTIAL DAMAGES ARISING OUT OF ANY PRODUCT COVERED BY THIS LIMITED WARRANTY, OR INCIDENTAL DAMAGES, INCLUDING WITHOUT LIMITATION LOSS OF USE, LOSS OF TIME OR INCONVENIENCE, OR EXPENSES SUCH AS TELEPHONE, TOWING, CRANE, LIFT CHARGES AND HAUL OUT CHARGES.
 - (c) IN NO EVENT SHALL MANUFACTURER'S LIABILITY HEREUNDER EXCEED THE COST OF THE PRODUCT.
 - (d) SOME STATES DO NOT ALLOW THE EXCLUSION OF LIMITATION OF INCIDENTAL DAMAGES, SO THE ABOVE LIMITATIONS OR EXCLUSIONS MAY NOT APPLY TO YOU. ALSO, SOME STATES DO NOT ALLOW LIMITATIONS ON HOW LONG AN IMPLIED WARRANTY LASTS, SO THE ABOVE LIMITATIONS MAY NOT APPLY TO YOU.

EXCLUSIONS FROM LIMITED WARRANTY COVERAGE

The following are excluded from coverage under this Limited Warranty:

1. Exposure to air pollutants and normal atmosphere conditions may cause vinyl surfaces to gradually suffer an accumulation of surface dirt and stains. These are normal occurrences and are not covered under Mariak's Limited Warranty.
2. Any defect, malfunction or failure to perform, which has occurred because of unreasonable use, improper application or failure to perform reasonable or necessary maintenance.
3. Any damage to the products or components of the products caused by settlement or structural defects of the building in which they are installed.
4. Any damage caused by wind, hail, lightning, rain, or other Acts of God, intentional acts, accidents, negligence, exposure to harmful chemicals or pollutants.
5. Any damage or defect caused by any person, licensed or not, who, after the product's manufacture, handled, transported or installed the Mariak product, regardless of that person's relationship to Mariak.
6. Any product which has been repaired or modified or attempted to have been repaired or modified by any person other than a duly authorized representative of Mariak.

In the event that any part or provision of this Limited Warranty shall conflict with any present or future law, statute, ordinance, regulation or ruling, the latter shall prevail; provided, however, that the part or provision of this Limited Warranty which is affected shall be curtailed and limited only to the extent necessary to bring it within the requirements of law, and all other parts and provisions of this limited warranty shall remain in full force and effect.

In compliance with the latest manufacturing safety guidelines Mariak includes with each fully-assembled product warning tags, warning labels, safety devices and cord cleats. Installers of the finished product must adhere to the safety guidelines as established by the installation instructions and by using all devices provided by the manufacturer. It is the responsibility of the installer, as well as the end consumer, to see that all safety devices are properly installed according to the manufacturers installation instructions included with each device and remain so throughout the life of the product.

For service under this Limited Warranty, please contact Mariak Industries, Inc., 575 W. Manville Street, Rancho Dominguez, California 90220, telephone (310) 661-4400. Please have available the proof of purchase and the purchase date and location, in addition to a detailed description of the problem. Mariak shall not be liable for shipping costs for product inspection, service or repair, and is not liable for damages or loss occurring during shipping.

Stationary Arches

(for Inside or Outside Mount)

Fauxwood & Basswood Arch Tops:

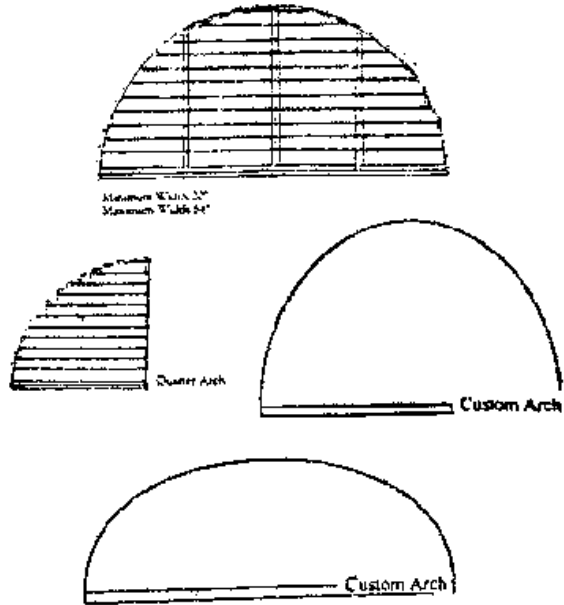
Our beautiful Fauxwood & Basswood Arch Top is the ideal treatment for any arch window. The slats are set at a 45 degree angle and are stationary. Mariak offers two types of arches, the "2" Horizontal Stationary Perfect Arch" and the "2" Horizontal Stationary Custom Arch." There will be no deduction made on outside mounts, and 1/4" deduction made on inside mounts. When facing an arch from inside a room, the slats will be facing in an "up" position for ultimate sun control and privacy. This will be standard manufacturing unless otherwise specified. Quarter arches are available and will be priced the same as a half arch. Other shapes are available — please call for details. Assembly may be required at installation time.

Perfect Arches vs. Custom Arches:

A "Perfect Arch" is one where the radius of the arch is constant at all points. In other words, the "Perfect Arch" is when the height is exactly half of the width. A template is not required when ordering a "Perfect Arch." A "Custom Arch," which is made to your exact specifications, does require a template.

How To Order Custom Arches:

Using a translucent paper, draw the outline of the arch. Cut out the pattern you have drawn and insert it back into the window opening to verify it is correct. For inside mounts, we will deduct 1/4" for installation clearance. Please write your company name, account number, sidemark, room name, and material/color required, and mail to Mariak. Please mark on the template "top" and "bottom" and "right" and "left" for verification.



Installation:

The arches are held in place by:

- a. Resting them on a sill and attaching them with screws
- b. Resting them on top of an existing blind and attaching to the blind's installation brackets
- c. Attaching them with an "L" bracket onto the existing window frame.

General Specifications:

Minimum arch width is 20". Maximum arch width is 84". "Perfect Arches" and "Custom Arches" are non-returnable.

Freight:

All arches will be shipped unassembled in cardboard boxes. A minimum amount of assembly is required at installation time. For fully assembled arches that need to be delivered via common carrier, there will be a \$1.00 per square foot charge to cover crating expenses.

Pricing:

| Width | 24" | 36" | 48" | 60" | 72" | 84" |
|---|--------|--------|--------|--------|--------|--------|
| 2" Horizontal Stationary "Perfect Arch" | 124.00 | 145.00 | 188.00 | 252.00 | 338.00 | 461.00 |
| 2" Horizontal Custom Arch (template required) | 166.00 | 188.00 | 231.00 | 295.00 | 381.00 | 503.00 |

Please allow 3 week lead-time for production.

Mariak

Many Window Solutions From One Source

575 West Manville Street, Rancho Dominguez, CA 90220
 Customer Service Fax: (800) 459-6999 / International Fax: (310) 763-1749
 PH: (800) 562-7425 / (310) 661-4400

Purchase Order CUSTOM 1", 2" & 2 1/2" Horizontal Blinds

(Use Economy Line Stock Fauxwood Horizontal Blind order form for Ready-Made Cut-Downs)

Account #: _____ Company Name: _____ Contact: _____ Purchase Order #: _____

Ship To Address: _____ Phone: _____ Sidemark: _____

City: _____ State: _____ Zip: _____ Fax: _____ Date Required: _____

EMAIL: _____ Ship Via (circle one): FedEX Common Carrier Mariak Truck Will Call

| Line | Sidemark | Qty | Mount ¹ | Width | Length | Slat Type ² | Color ³ | Ladder Type ⁴ | Tilt Type ⁵ | Tilt ⁶ | Lift ⁷ | Valance ⁸ | Hold Downs | Spacer Block |
|------|----------|-----|--------------------|-------|--------|------------------------|--------------------|--------------------------|------------------------|-------------------|-------------------|----------------------|------------|--------------|
| 1 | | | | | | | | | | | | | | |
| 2 | | | | | | | | | | | | | | |
| 3 | | | | | | | | | | | | | | |
| 4 | | | | | | | | | | | | | | |
| 5 | | | | | | | | | | | | | | |
| 6 | | | | | | | | | | | | | | |
| 7 | | | | | | | | | | | | | | |
| 8 | | | | | | | | | | | | | | |
| 9 | | | | | | | | | | | | | | |
| 10 | | | | | | | | | | | | | | |

Purchase Order Footnotes:

| | | | |
|------------------------|--|------------------------------|---|
| 1. Mount: | (IM) - Inside Mount (OM) - Outside Mount | 5. Tilt Type: | (C) - Cord Tilt (W) - Wand Tilt (M-IR) - Motorized Tilt with Infra-Red Control (M-RTS) - Motorized Tilt with RTS Control |
| 2. Slat Type: | (2"FX) - 2" Fauxwood (1"FX)-1" Fauxwood (2 1/2"FX) - 2 1/2" Fauxwood (2"BS) - 2" Basswood (2 1/2"BS) - 2 1/2" Basswood (2"PVC) - 2" PVC Curved (2"AL) - 2" Aluminum | 6. Tilt Control: | (L) - Left Side Tilt (Standard) (R) - Right Side Tilt (C) - Center Tilt (Required for blinds less than 11" in width) |
| 3. Color: | Specify the color # and name. | 7. Lift Cord Control: | (R) - Right Side Lift Cord (Standard) (L) - Left Side Lift Cord |
| 4. Ladder Type: | (STD) - Standard Cord Ladder (RTL) - Routless Cord Ladder (CLOTH) - Privacy 1 1/2" Cloth Tape (2VNYL) - Vinyl Privacy Tape for 2" Aluminum in Eggshell or White Satin | 8. Valance Type: | (RYL) - 3 1/2" Royal Valance (Available with Fauxwood & Basswood) (BAR) - 5 1/2" Barrington Valance (Available with Fauxwood & Basswood) (SNG) - Single Slat Valance (Available with PVC or Aluminum) |

Mariak

Many Window Solutions From One Source

575 West Manville Street, Rancho Dominguez, CA 90220

Customer Service Fax: (800) 459-6999 / International Fax: (310) 763-1749

PH: (800) 562-7425 / (310) 661-4400

Page _____ of _____

Purchase Order 2" Economy Stock Fauxwood Horizontal Blinds

Account #: _____ Company Name: _____ Contact: _____ Purchase Order #: _____

Ship To Address: _____ Phone: _____ Sidemark: _____

City: _____ State: _____ Zip: _____ Fax: _____ Date Required: _____

EMAIL: _____ Ship Via (circle one): FedEX Common Carrier Mariak Truck Will Call

| Line | Sidemark | Qty | Stock Size ¹ | Mount | Window Width ² | Net Length ³ | Color ⁴ | Valance Returns ⁵ |
|------|----------|-----|-------------------------|-------|---------------------------|-------------------------|--------------------|------------------------------|
| 1 | | | | | | | | |
| 2 | | | | | | | | |
| 3 | | | | | | | | |
| 4 | | | | | | | | |
| 5 | | | | | | | | |
| 6 | | | | | | | | |
| 7 | | | | | | | | |
| 8 | | | | | | | | |
| 9 | | | | | | | | |
| 10 | | | | | | | | |

| Stock Blind Sizes Available | | | |
|-----------------------------|--------|-----------|--------|
| Size | Sq.Ft. | Size | Sq.Ft. |
| 10" x 72" | 5.00 | 45" x 48" | 15.00 |
| 18" x 36" | 4.50 | 45" x 60" | 18.80 |
| 18" x 48" | 6.00 | 45" x 72" | 22.50 |
| 18" x 60" | 7.50 | 45" x 84" | 26.30 |
| 18" x 72" | 9.00 | 45" x 96" | 30.00 |
| 24" x 36" | 6.00 | 48" x 36" | 12.00 |
| 24" x 48" | 8.00 | 48" x 48" | 16.00 |
| 24" x 60" | 10.00 | 48" x 60" | 20.00 |
| 24" x 72" | 12.00 | 48" x 72" | 24.00 |
| 24" x 84" | 14.00 | 48" x 84" | 28.00 |
| 24" x 96" | 15.00 | 48" x 96" | 32.00 |
| 28" x 36" | 7.00 | 54" x 36" | 13.50 |
| 28" x 48" | 9.30 | 54" x 48" | 18.00 |
| 28" x 60" | 11.70 | 54" x 60" | 22.50 |
| 28" x 72" | 14.00 | 54" x 72" | 27.00 |
| 28" x 84" | 16.30 | 60" x 36" | 15.00 |
| 28" x 96" | 18.70 | 60" x 48" | 20.00 |
| 32" x 36" | 8.00 | 60" x 60" | 25.00 |
| 32" x 48" | 10.70 | 60" x 72" | 30.00 |
| 32" x 60" | 13.30 | 66" x 36" | 16.50 |
| 32" x 72" | 16.00 | 66" x 48" | 22.00 |
| 32" x 84" | 18.70 | 66" x 60" | 27.50 |
| 32" x 96" | 21.30 | 66" x 72" | 33.00 |
| 36" x 36" | 9.00 | 72" x 36" | 18.00 |
| 36" x 48" | 12.00 | 72" x 48" | 24.00 |
| 36" x 60" | 15.00 | 72" x 60" | 30.00 |
| 36" x 72" | 18.00 | 72" x 72" | 36.00 |
| 36" x 84" | 21.00 | 84" x 36" | 21.00 |
| 36" x 96" | 24.00 | 84" x 48" | 28.00 |
| 42" x 36" | 10.50 | 84" x 60" | 35.00 |
| 42" x 48" | 14.00 | 84" x 72" | 42.00 |
| 42" x 60" | 17.50 | 96" x 36" | 24.00 |
| 42" x 72" | 21.00 | 96" x 48" | 32.00 |
| 42" x 84" | 24.50 | 96" x 60" | 40.00 |
| 42" x 96" | 28.00 | 96" x 72" | 48.00 |
| 45" x 36" | 11.30 | | |

Purchase Order Footnotes:

| | |
|--|--|
| 1. Stock Size: | Specify the stock size blind required from the range of sizes listed at the right. |
| 2. Window Width: | Specify the window opening width. A 1/2" deduction will be taken for inside mount. If the net width is less than the stock blind width, a \$2.00 surcharge will apply. |
| 3. Net Length: | Specify the net finished length required. No additional deductions will be taken. If the net length is less than the stock blind length, a \$3.00 surcharge will apply. |
| 4. Color: | 110 Snow White, 120 Pearl White, 200 Alabaster Smooth, 175 Cherry Embossed, 155 Natural Embossed, 9256 Chestnut Realgrain (15% surcharge), 9254 Oak Realgrain (15% Surcharge) |
| 5. Valance Returns: | (1-1/4") - 1-1/4" Returns - Typically used for inside mount installations. (3-1/2") - 3-1/2" Returns - Typically used for outside mount installations. (NO) - No Valance Returns Required |
| 2" Economy Stock Fauxwood Blind Specifications: | Cut Down Guidelines: |
| - Cord Tilter | - Maximum cut down in width is 4" |
| - Standard Controls | - Minimum cut down is width is 1/8" |
| - 3 1/4" Royal Valance with clip-on returns | - When requesting a cut down of less than 1/2" in width, the blind will be trimmed on 1 side only. |
| Cut Down Surcharges: | - When requesting a cut down of 1/2" or more, the blind will be trimmed on both sides. When cutting a blind down on both sides, the factory will make every attempt to cut evenly from each side ± 1/8". |
| - Cut Down in Width = \$2.00 per blind | |
| - Shortening the Length = \$3.00 per blind | |

Mariak

Many Window Solutions From One Source

BLANK PAGE

575 West Manville Street
Rancho Dominguez, CA 90220
(800) 562-7425
www.mariak.com